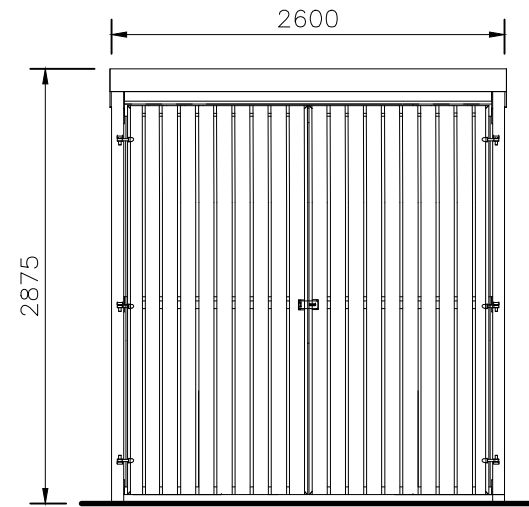
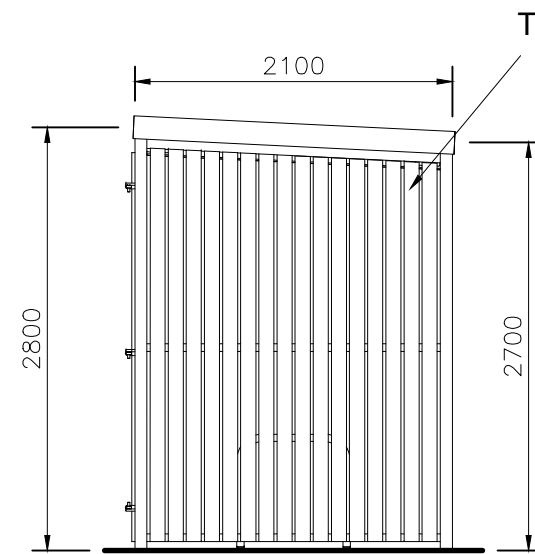


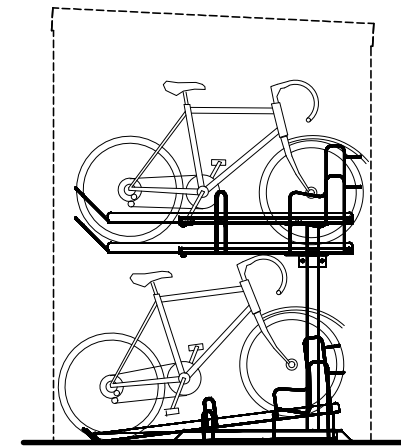
CYCLE STORE:
PLAN



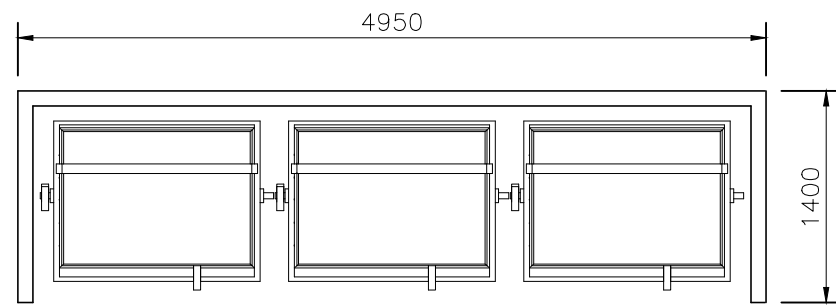
CYCLE STORE:
FRONT ELEVATION



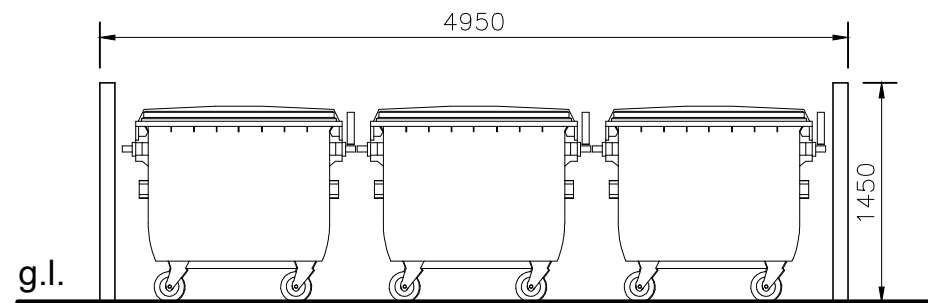
CYCLE STORE:
LEFT/RIGHT ELEVATION



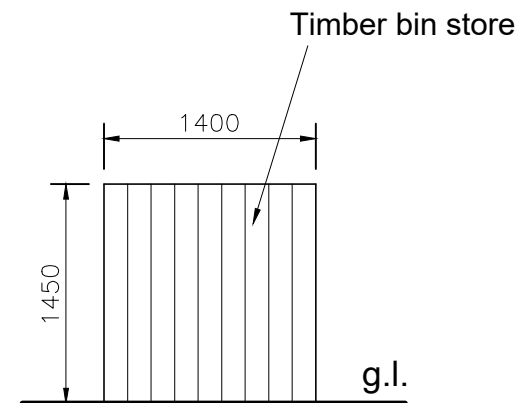
CYCLE STORE:
SECTION



BIN STORE: PLAN



BIN STORE: FRONT ELEVATION



BIN STORE:
LEFT/RIGHT ELEVATION

1:200 scale bar 0 1 2 3 4 5metres

PROPOSED CYCLE & BIN STORES: PLANS, SECTION, ELEVATIONS

<h1>RJG</h1> <p>Architecture LTD For All Your Architectural Design Requirements</p>	Project Glovers Brow Development Kirkby Liverpool	
	Dwg Title Cycle and Bin Stores Plans and Elevations	
Tel : 01744 419419 e-mail: info@rjgarchitecture.co.uk	Dwg No 01823/SK/04	Rev
1. Figured dimensions to be followed in preference to scale. 2. All dimensions to be checked on site. 3. This drawing remains the copyright of the architect and may not be copied without prior consent.	Drawn by BPM	Scale ●A3 1: 50
		Date May'25