

Do not scale this drawing or associated computer digital data, and use figured dimensions only. All dimensions are in millimetres and levels in metres unless noted otherwise. All dimensions should be checked on site prior to works commencing. Any discrepancies or items where dimensions cannot be determined should be reported to KSS. Revision clouds on drawing refer to changes against previous revision.


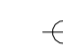
REV	DATE	DESCRIPTION	DRWN	CHKD
P01	01.12.25	FOR PLANNING SUBMISSION	SJ	EA

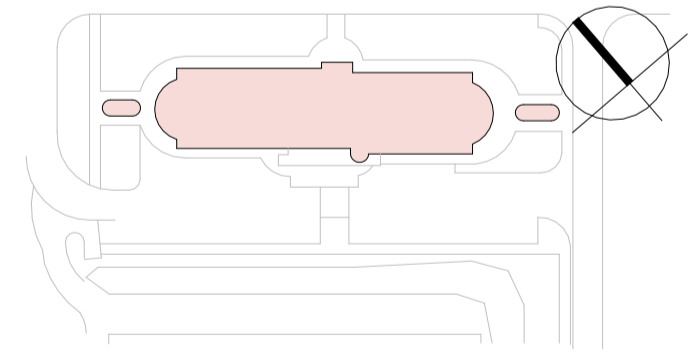
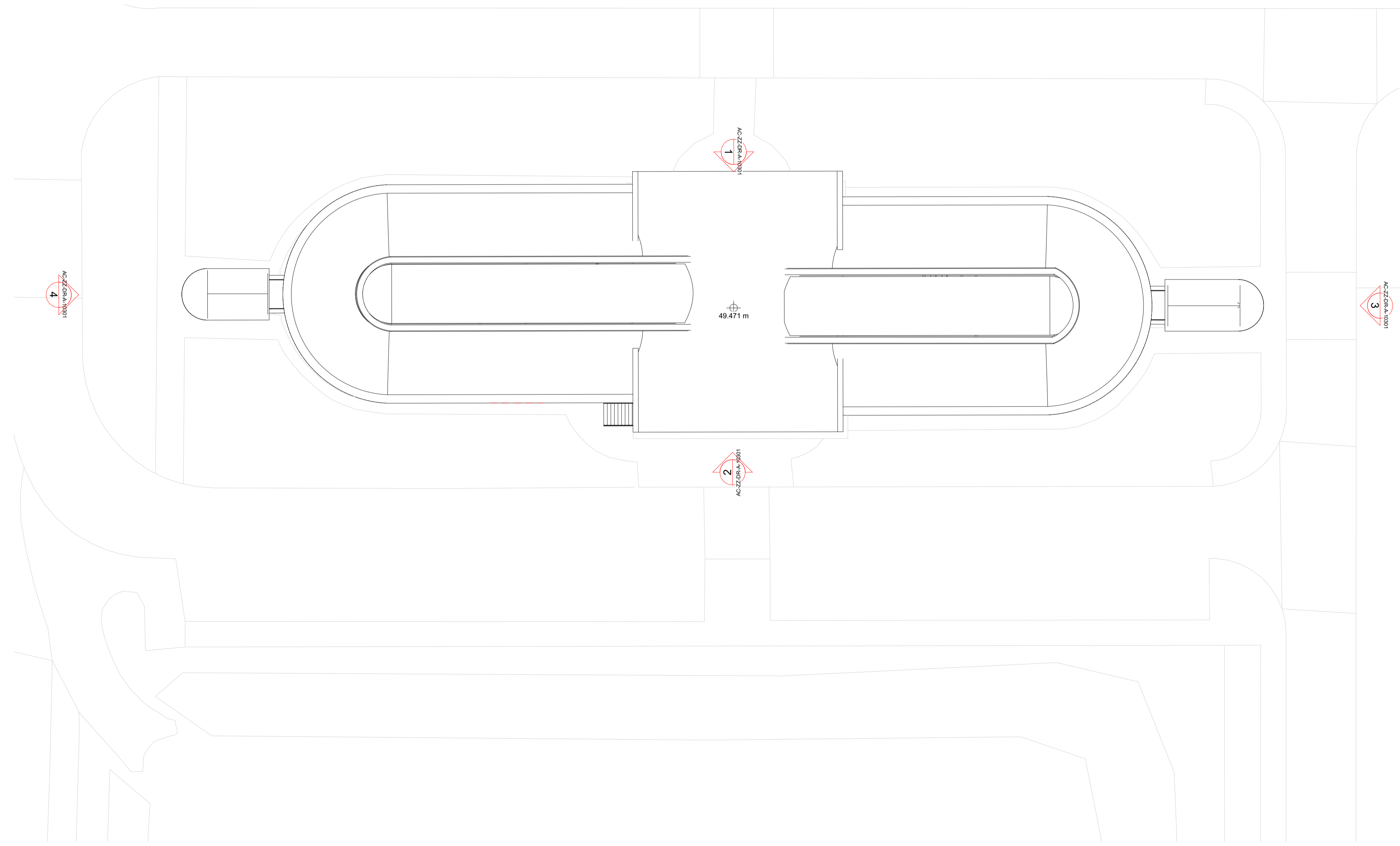
GENERAL NOTES AND LEGEND

1. DRAWING TO BE READ IN CONJUNCTION WITH LATEST REVISIONS OF THE FOLLOWING DRAWINGS AND DOCUMENTS:

- KSS - 000 SERIES – EXISTING LOCATION & SITE PLANS
- KSS - 001 SERIES – EXISTING PLANS
- KSS - 002 SERIES – EXISTING SECTIONS
- KSS - 003 SERIES – EXISTING ELEVATIONS
- KSS - 020 SERIES – DEMOLITION SITE PLANS
- KSS - 021 SERIES – DEMOLITION PLANS
- KSS - 022 SERIES – DEMOLITION SECTIONS
- KSS - 023 SERIES – DEMOLITION ELEVATIONS
- KSS - 030 SERIES – PROPOSED LOCATION & SITE PLANS
- KSS - 031 SERIES – PROPOSED PLANS
- KSS - 032 SERIES – PROPOSED SECTIONS
- KSS - 033 SERIES – PROPOSED ELEVATIONS

KEY

	EXISTING
	EXISTING LEVEL (AOD)



1 PLAN
RF - PLANNING EXISTING ROOF PLAN - ZONE 1 1 : 200

KEY PLAN

KSS London 1 James Street London W1U 1DR
Kent 7 Biggles Walk, Sevenoaks TN13 1DB
KSSGROUP.COM ☎+44 (0)20 7907 2222

CLIENT
LIVERPOOL FOOTBALL CLUB

PROJECT
LFC TRAINING CENTRE ACADEMY

TITLE
PLANNING EXISTING ROOF PLAN - ZONE 1

Suitability codes to ISO19650:
S0 WIP, S1 Suitable for Coordination, S2 Suitable for Information, S3 Suitable for Review & Comment, S4 Suitable for Stage Approval, S5 Suitable for BIM Authorisation, S7 Suitable for BIM Authorisation, S8 Suitable for Building Control Approval, SP Suitable for Planning Approval, BT Suitable for Costing/Tender.
A1, A2, An, Approved and accepted as stage complete, B1, B2, Bn, Partially Signed Off, CR, As Construction Record documentation

MODEL FILE REFERENCE
25009-KSS-AC-ZZ-M3-A-00001

SCALE	FORMAT	SUITABILITY	REVISION
1 : 200	@ A1	SP	P01

DRAWING REFERENCE
25009-KSS-AC-RF-DR-A-00101

